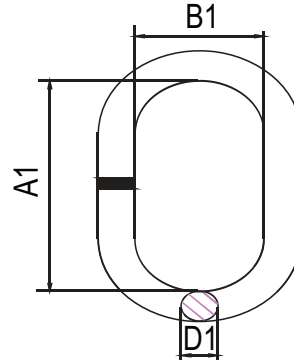


Made from G8 Alloy Steel our master rings are suitable for various applications when used alongside slings and shackles. They can also serve as an end link and come with the necessary certification for compliance.

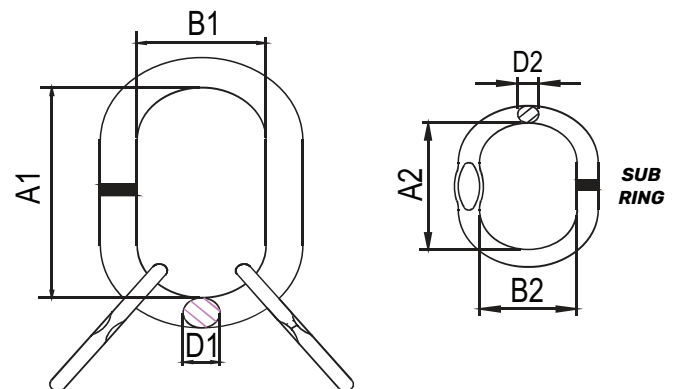
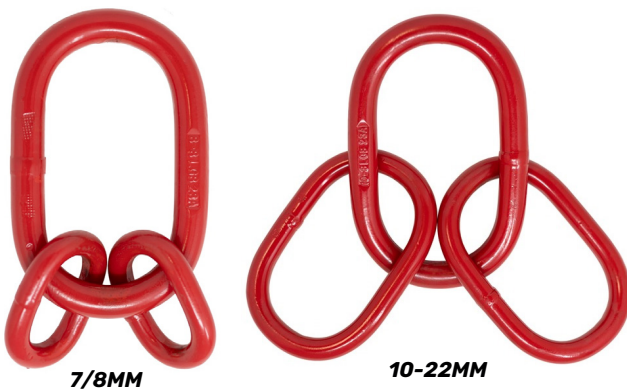
To ensure the utmost safety and reliability, every workpiece undergoes rigorous testing, which includes a thorough examination to verify its integrity.



G8 1-2 Leg Master Ring

- Proof tested at 2.5 times Working Load Limit
- Breakage test and fatigue tested
- 100% magnaflux crack detection
- WLL is based on 0° - 45°
- Suitable for 1 or 2 leg G8 chain slings
- Supplied with the relevant Certification

Product Code	Chain Dia (mm)		WLL (T)	Dimensions (mm)			Weight (kg)
	1 Leg	2 Leg		A1	B1	D1	
MR-LG8-7-6	7	6	1.60	110	60	13	0.34
MR-LG8-10-7	10	7/8	3.15	135	75	18	0.82
MR-LG8-13-10	13	10	5.30	160	90	22	1.5
MR-LG8-16-13	16	13	8.00	180	100	26	2.3
MR-LG8-18-16	18	16	11.20	200	110	32	3.95
MR-LG8-20-18	20	18	14.00	260	140	36	6.34
MR-LG8-22-20	22	20	17.00	300	160	40	8.96
MR-LG8-26-22	26	22	21.20	340	180	45	12.8



G8 3-4 Leg Master Ring

- Proof tested at 2.5 times Working Load Limit (7-8mm)
- Proof tested at 2 times Working Load Limit (10-22mm)
- Breakage test and fatigue tested
- 100% magnaflux crack detection
- WLL is based on 0° - 45°
- Suitable for 3 or 4 leg G8 chain slings
- Supplied with the relevant Certification

Product Code	Chain Dia (mm)	WLL (T)	Dimensions (mm)						Weight (kg)
			A1	B1	D1	A2	B2	D2	
MR-LG8-Q7	7	3.15	135	75	18	60	38	13	1.24
MR-LG8-Q8	8	4.25	160	90	22	70	34	16	2.2
MR-LG8-Q10	10	9.40	190	110	26	160	95	20	4.87
MR-LG8-Q13	13	14.20	230	130	32	190	110	26	9.38
MR-LG8-Q16	16	22.30	275	150	38	230	130	30	15.28
MR-LG8-Q20	20	33.50	340	180	45	230	130	32	21.78
MR-LG8-Q22	22	40.80	350	190	50	275	150	38	31.52